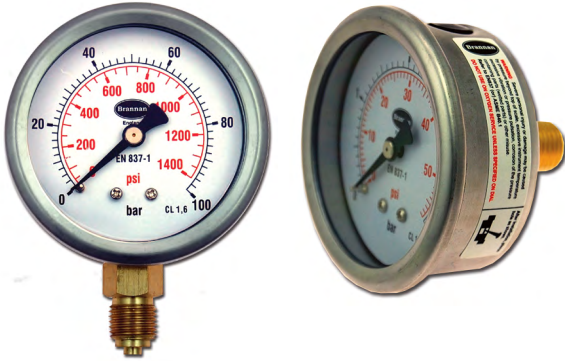


# Brannan Product Data Sheet

PDS1003.20.REV5

## PG030 - Stainless Steel Fillable Pressure Gauges



### Features

- Waterproof and corrosion resistant case
- Glycerine filling available
- Front or back flange available for panel mounting
- **Brannan** quality and accuracy
- For outdoor and high humidity installations
- Wide choice of pressure ranges and dial diameters
- Wide range of associated accessories available

### Applications

- Pneumatics
- Heating, ventilation, air-conditioning
- Pulp and paper industry
- Pumps, compressors, hydraulic presses
- High humidity installations
- Hydraulics
- Food and beverage industry
- Machine and apparatus construction
- Outdoor installations

### Standard Product Specifications

<b>Dial Diameters</b>	50mm, 63mm & 100mm
<b>Design</b>	BS EN 837
<b>Accuracy Class</b>	1.6 (for Class 1.0 - see PG040)
<b>Ranges</b>	-1 to 0 bar & psi through to 0 to 600 bar & psi
<b>Case</b>	Stainless steel 304
<b>Connection</b>	50 & 63mm diameter: 1/4" BSP or NPT Brass bottom or centre back entry 100mm diameter: 1/2" BSP or NPT Brass bottom or lower back entry
<b>Bezel</b>	Stainless steel 304. 50mm & 63mm dia dials: rolled bezel, 100mm dia dial: flat bezel
<b>Window</b>	Polycarbonate
<b>Pointer</b>	Black aluminium
<b>Filling</b>	Dry or glycerine filled
<b>Working Pressure</b>	Steady: 75% full scale range Fluctuating: 60% full scale range Short Time: full scale range
<b>Operating Temperature</b>	Ambient: -20 to +60°C Medium: -20 to +60°C
<b>Storage Temperature</b>	-40 to +60°C
<b>Temperature Effect</b>	When temperature of the pressure element deviates from reference temperature of 20°C the maximum additional error is +/-0.4 per 10°C of the span rising and falling
<b>Bourdon</b>	Cu-Alloy C-type
<b>Bourdon Movement</b>	Cu-Alloy
<b>Protection</b>	IP 65
<b>Calibration</b>	UKAS certification, certificate traceable to Recognised National Standard or Statement of Conformity, if required

[www.brannan.co.uk](http://www.brannan.co.uk)

Measurement for Life.



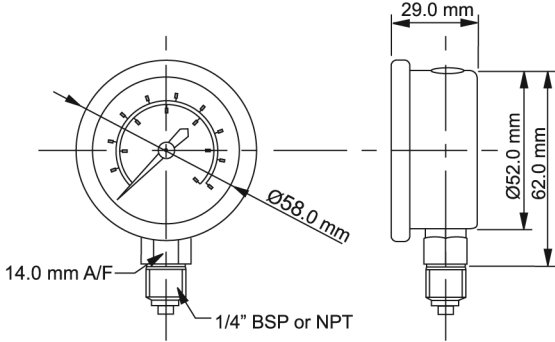
# Brannan Product Data Sheet

PDS1003.20.REV5

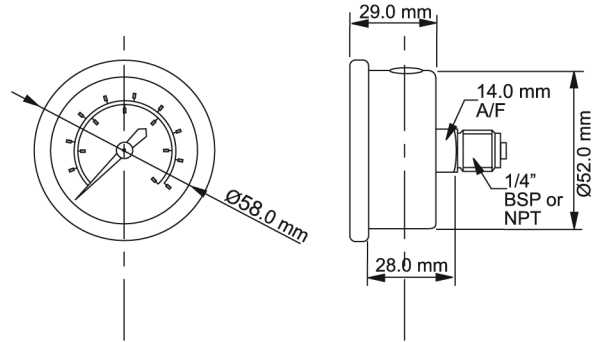
## PG030 - Stainless Steel Fillable Pressure Gauges

### Dimensions

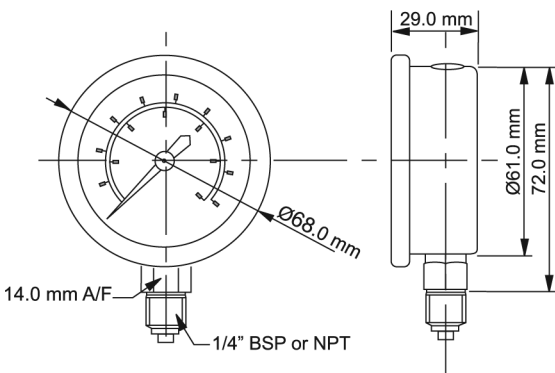
50mm Dial Pressure Gauge - Bottom Entry



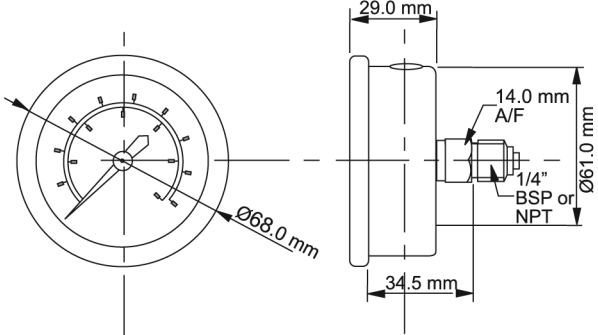
50mm Dial Pressure Gauge - Back Entry



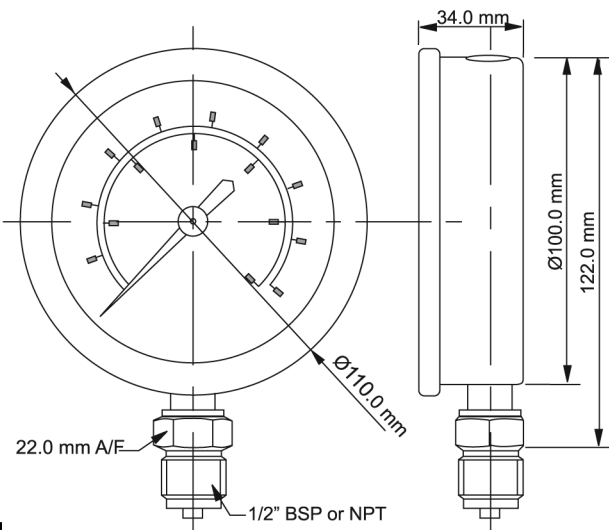
63mm Dial Pressure Gauge - Bottom Entry



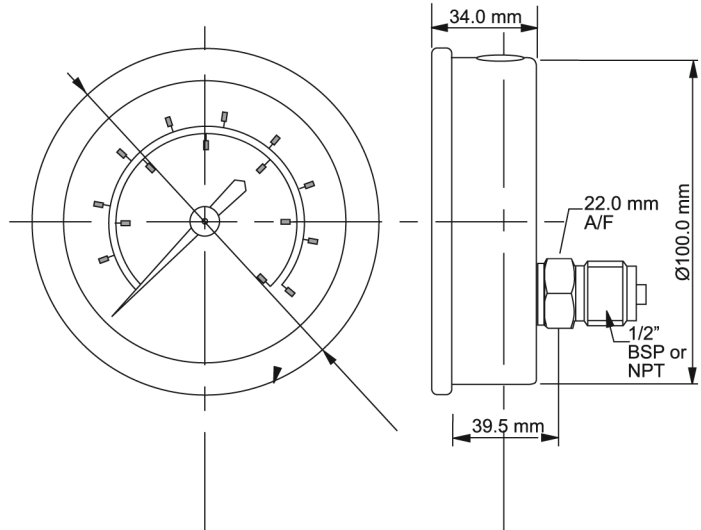
63mm Dial Pressure Gauge - Back Entry



100mm Dial Pressure Gauge - Bottom Entry



100mm Dial Pressure Gauge - Back Entry



www.brannaninc.com

# Brannan Product Data Sheet

PDS1003.20.REV5

## PG030 - Stainless Steel Fillable Pressure Gauges

### Standard Product Numbers

The following are our standard product numbers for stainless steel pressure gauges, 1/4" BSP and NPT connections, dry (fillable). To order glycerine filled pressure gauge from this range, substitute last "0" for "5", ie 37/201/0 becomes 37/201/5.

To order pressure gauge with back flange, substitute last "0" for "6", ie 37/201/0 becomes 37/201/6.

If gauge is required glycerine filled *and* with back flange, substitute last "0" for "7", ie 37/201/0 becomes 37/201/7.

NB - Bottom entry gauges would be fitted with back flange, back entry gauges would be fitted with front flange.

Special products can be supplied on request, for example, customer own branding, alternative connection, range, etc.

Minimum order quantities apply. Please contact our Sales Team for further information.

### Product Code Matrix for Glycerine Filled or Gauges with Flange

- Glycerine filled: substitute "0" for "5", ie 37/201/0 = 37/201/5
- Back flange gauge: substitute "0" for "6", ie 37/201/0 = 37/201/6
- Glycerine filled *and* back flange, substitute last "0" for "7", ie 37/201/0 = 37/201/7.

### 50mm Diameter Stainless Steel Pressure Gauges

Range Bar & PSI	Bottom Connection		Back Connection	
	1/4" BSP	1/4" NPT	1/4" BSP	1/4" NPT
0 to 1	37/201/0	37/221/0	37/241/0	37/261/0
0 to 1.6	37/202/0	37/222/0	37/242/0	37/262/0
0 to 2.5	37/203/0	37/223/0	37/243/0	37/263/0
0 to 4	37/204/0	37/224/0	37/244/0	37/264/0
0 to 6	37/205/0	37/225/0	37/245/0	37/265/0
0 to 10	37/206/0	37/226/0	37/246/0	37/266/0
0 to 16	37/207/0	37/227/0	37/247/0	37/267/0
0 to 25	37/208/0	37/228/0	37/248/0	37/268/0
0 to 40	37/209/0	37/229/0	37/249/0	37/269/0
0 to 60	37/210/0	37/230/0	37/250/0	37/270/0
0 to 100	37/211/0	37/231/0	37/251/0	37/271/0
0 to 160	37/212/0	37/232/0	37/252/0	37/272/0
0 to 250	37/213/0	37/233/0	37/253/0	37/273/0
0 to 400	37/214/0	37/234/0	37/254/0	37/274/0
0 to 600	37/215/0	37/235/0	37/255/0	37/275/0
-1 to 0	37/216/0	37/236/0	37/256/0	37/276/0
-1 to 1.5	37/220/0	37/240/0	37/260/0	37/280/0
-1 to 3	37/217/0	37/237/0	37/257/0	37/277/0
-1 to 5	37/218/0	37/238/0	37/258/0	37/278/0
-1 to 9	37/219/0	37/239/0	37/259/0	37/279/0

### 63mm Diameter Stainless Steel Pressure Gauges

Range Bar & PSI	Bottom Connection		Back Connection	
	1/4" BSP	1/4" NPT	1/4" BSP	1/4" NPT
0 to 1	37/501/0	37/521/0	37/541/0	37/561/0
0 to 1.6	37/502/0	37/522/0	37/542/0	37/562/0
0 to 2.5	37/503/0	37/523/0	37/543/0	37/563/0
0 to 4	37/504/0	37/524/0	37/544/0	37/564/0
0 to 6	37/505/0	37/525/0	37/545/0	37/565/0
0 to 10	37/506/0	37/526/0	37/546/0	37/566/0
0 to 16	37/507/0	37/527/0	37/547/0	37/567/0
0 to 25	37/508/0	37/528/0	37/548/0	37/568/0
0 to 40	37/509/0	37/529/0	37/549/0	37/569/0
0 to 60	37/510/0	37/530/0	37/550/0	37/570/0
0 to 100	37/511/0	37/531/0	37/551/0	37/571/0
0 to 160	37/512/0	37/532/0	37/552/0	37/572/0
0 to 250	37/513/0	37/533/0	37/553/0	37/573/0
0 to 400	37/514/0	37/534/0	37/554/0	37/574/0
0 to 600	37/515/0	37/535/0	37/555/0	37/575/0
-1 to 0	37/516/0	37/536/0	37/556/0	37/576/0
-1 to 1.5	37/520/0	37/540/0	37/560/0	37/580/0
-1 to 3	37/517/0	37/537/0	37/557/0	37/577/0
-1 to 5	37/518/0	37/538/0	37/558/0	37/578/0
-1 to 9	37/519/0	37/539/0	37/559/0	37/579/0

www.brannan.co.uk

Measurement for Life.



# Brannan Product Data Sheet

## PDS1003.20.REV5

### PG030 - Stainless Steel Fillable Pressure Gauges

#### 100mm Diameter Stainless Steel Pressure Gauges

Range Bar & PSI	Bottom Connection		Back Connection	
	1/2" BSP	1/2" NPT	1/2" BSP	1/2" NPT
0 to 1	37/801/0	37/821/0	37/841/0	37/861/0
0 to 1.6	37/802/0	37/822/0	37/842/0	37/862/0
0 to 2.5	37/803/0	37/823/0	37/843/0	37/863/0
0 to 4	37/804/0	37/824/0	37/844/0	37/864/0
0 to 6	37/805/0	37/825/0	37/845/0	37/865/0
0 to 10	37/806/0	37/826/0	37/846/0	37/866/0
0 to 16	37/807/0	37/827/0	37/847/0	37/867/0
0 to 25	37/808/0	37/828/0	37/848/0	37/868/0
0 to 40	37/809/0	37/829/0	37/849/0	37/869/0
0 to 60	37/810/0	37/830/0	37/850/0	37/870/0
0 to 100	37/811/0	37/831/0	37/851/0	37/871/0
0 to 160	37/812/0	37/832/0	37/852/0	37/872/0
0 to 250	37/813/0	37/833/0	37/853/0	37/873/0
0 to 400	37/814/0	37/834/0	37/854/0	37/874/0
0 to 600	37/815/0	37/835/0	37/855/0	37/875/0
-1 to 0	37/816/0	37/836/0	37/856/0	37/876/0
-1 to 1.5	37/820/0	37/840/0	37/860/0	37/880/0
-1 to 3	37/817/0	37/837/0	37/857/0	37/877/0
-1 to 5	37/818/0	37/838/0	37/858/0	37/878/0
-1 to 9	37/819/0	37/839/0	37/859/0	37/879/0

#### Calibration Product Numbers



Calibration	No of Points	Product Number
UKAS	5pt	49/075/0
Traceable to National Standards	5pt	49/060/0

Other calibration types available on request

#### Weights (dry gauges)

Dial Diameter	Orientation	Box Dimensions	Net Weight	Box Weight	Total Weight
50mm dia	Bottom	76 x 64 x 33mm	88.5g	11.5g	102.0g
50mm dia	Back	60 x 62 x 57mm	84.5g	13.5g	98.0g
63mm dia	Bottom	87 x 70 x 35mm	109.5g	14.5g	126.0g
63mm dia	Back	62 x 71 x 71mm	105.5g	17.5g	125.0g
100mm dia	Bottom	131 x 118 x 40mm	366.0g	30.0g	358.0g
100mm dia	Back	114 x 114 x 82mm	288.0g	40.0g	330.5g

#### Filled Gauges:

50mm dia: add approx 40g

63mm dia: add approx 90g

100mm dia: add approx 250g

# Brannan Product Data Sheet

PDS1003.20.REV5

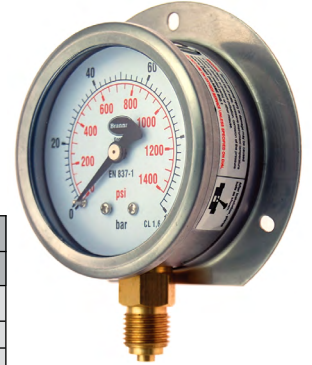
## PG030 - Stainless Steel Fillable Pressure Gauges

### Accessories



#### Stainless Steel Flanges for Pressure Gauges

- Front or back flange available
- Suitable for use with PG030 pressure gauges



Gauge Diameter	Product No	
	Back Flange	Front Flange
50mm	39/321/0	39/324/0
63mm	39/322/0	39/325/0
100mm	39/327/0	39/326/0



#### Ring or 'U' Shaped Pipe Syphons

- Available in mild steel and stainless steel
- Wide range of BSP (supplied with fixing nut) or NPT connections

#### Standard Product Numbers - 'U' Shaped Syphons

Material	Connection	Product No
Mild Steel	1/4" BSP M x 1/4" BSP M	39/010/0
Mild Steel	3/8" BSP M x 3/8" BSP M	39/011/0
Brass	3/8" BSP M x 3/8" BSP M	39/013/0
Mild Steel	1/2" BSP M x 1/2" BSP M	39/012/0
Mild Steel	1/4" NPT M x 1/4" NPT M	39/014/0
Stainless Steel	1/4" NPT M x 1/4" NPT M	39/018/0
Stainless Steel	1/4" BSP M x 1/4" BSP M	39/019/0
Stainless Steel	3/8" BSP M x 3/8" BSP M	39/022/0
Mild Steel	3/8" NPT M x 3/8" NPT M	39/041/0
Mild Steel	1/2" NPT M x 1/2" NPT M	39/042/0
Stainless Steel	1/2" NPT M x 1/2" NPT M	39/043/0
Stainless Steel	3/8" NPT M x 3/8" NPT M	39/044/0
Stainless Steel	1/2" BSP M x 1/2" BSP M	39/050/0

#### Standard Product Numbers - Ring Syphons

Material	Connection	Product No
Mild Steel	3/8" BSP M x 3/8" BSP M	39/015/0
Mild Steel	1/2" BSP M x 1/2" BSP M	39/016/0
Mild Steel	1/4" NPT M x 1/4" NPT M	39/020/0
Stainless Steel	3/8" BSP M x 3/8" BSP M	39/023/0
Mild Steel	1/4" BSP M x 1/4" BSP M	39/024/0
Stainless Steel	1/4" NPT M x 1/4" NPT M	39/029/0
Stainless Steel	1/4" BSP M x 1/4" BSP M	39/031/0
Mild Steel	3/8" NPT M x 3/8" NPT M	39/045/0
Mild Steel	1/2" NPT M x 1/2" NPT M	39/046/0
Stainless Steel	1/2" NPT M x 1/2" NPT M	39/047/0
Stainless Steel	3/8" NPT M x 3/8" NPT M	39/048/0
Stainless Steel	1/2" BSP M x 1/2" BSP M	39/049/0

[www.brannan.co.uk](http://www.brannan.co.uk)

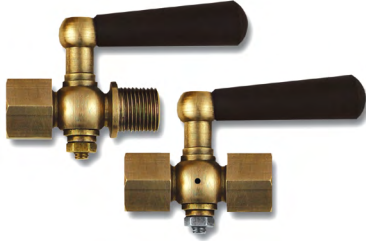
Measurement for Life.



# Brannan Product Data Sheet

PDS1003.20.REV5

## PG030 - Stainless Steel Fillable Pressure Gauges



### Brass Gauge Cocks

- Allows gauge to be isolated from pressure medium to protect against gauge failure
- Allows gauge to be removed for servicing
- Available with or without vent hole
- Tested to 20 bar
- Other connections available

Connection	Product No	
	Standard	Vent Hole
3/8" BSP F & F	39/001/0	39/001/9
1/2" BSP F & F	39/003/0	39/003/9
1/4" BSP F & F	39/008/0	39/008/9
1/4" BSP M & F	39/200/0	39/200/9
3/8" BSP M & F	39/202/0	39/202/8
1/2" BSP M & F	39/203/0	39/202/9



### Self Sealing Test Plugs

- Suitable for low temperature hot water, chilled water and low temperature steam
- Not for use on medium or high temperature hot water, oils or hazardous pressure media
- Available in range of connections and lagging extensions
- Max pressure: 35 bar
- Temperature range: -8 to +125°C
- Allows maximum probe diameter of 4mm
- For use on low pressure water systems
- Not suitable for oil or other hydro-carbon fluids

Connection	Product No
1/4" BSPT M	39/308/0
1/2" BSPT M	39/312/0
1/4" BSPT M with 50mm Lagging Extension	39/313/0
1/2" BSP M with 50mm Lagging Extension	39/314/0



### Pressure Gauge to Test Plug Brass Adaptor

- 1/4" BSPT female connection
- Available in brass or stainless steel

Connection	Product No
1/4" BSP F	39/309/0



### Brass Snubber Check Valve for Pressure Gauge

- Protects gauge from pressure spikes and pulsation
- Extends life of pressure gauge
- Max working pressure: 60 bar
- Available in choice of connections
- Adjustable snubber available on request

Connection	Product No
1/4" BSP M x 1/4" BSP F	39/304/0
3/8" BSP M x 3/8" BSP F	39/306/0
1/2" BSP M x 1/2" BSP F	39/307/0



### Brass Pressure Gauge Adaptors

- Increase or decrease the thread size of the gauge connection
- Available in a wide range of connections, BSP to BSP or BSP to NPT, female to male
- Brass construction

Connection	Product No
1/8" BSP F x 1/8" NPT M	39/354/0
1/8" BSP F x 1/4" BSP M	39/351/0
1/8" BSP F x 1/4" NPT M	39/352/0
1/4" BSP F x 1/8" BSP M	39/358/0
1/4" BSP F x 1/8" NPT M	39/361/0
1/4" BSP F x 1/8" NPT M	39/355/0
1/4" BSP F x 3/8" BSP M	39/353/0
1/4" BSP F x 3/8" NPT M	39/362/0
1/4" BSP F x 1/2" BSP M	39/025/0
1/4" BSP F x 1/2" NPT M	39/363/0
3/8" BSP F x 1/4" BSP M	39/357/0
3/8" BSP F x 1/4" NPT M	39/359/0
3/8" BSP F x 3/8" NPT M	39/360/0
3/8" BSP F x 1/2" BSP M	39/021/0
3/8" BSP F x 1/2" NPT M	39/356/0
1/2" BSP F x 3/8" BSP M	39/366/0
1/2" BSP F x 3/8" NPT M	39/364/0
1/2" BSP F x 1/2" NPT M	39/365/0

www.brannan.co.uk

Measurement for Life.

